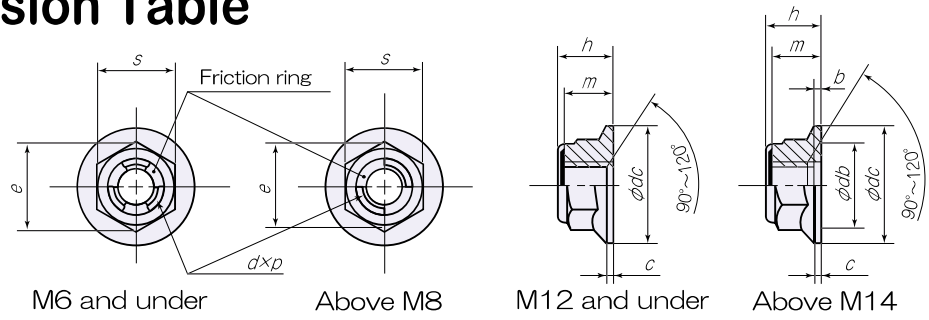


Flange Type Dimension Table



● : Available ■ : Available on request

Thread accuracy: IS06H Unit: mm

Material of Nut Body														SS400	S45C-H	Unit Weight [g] Approx.
Material of Friction Ring														SUS301		
Nominal Diameter (d)	Pitch (p)	Width Across Flat (s)		Flange Diameter (ϕdc)		Overall Height(h)		Thread Height (m) Approx.	Across Corners (e) Approx.	Depth of Counterbores (b) Approx.	Diameter of Counterbores (ϕdb)		Flange Thickness (c) MIN	Property Class		
		Base	Tolerance	Base	Tolerance	Base	Tolerance				Base	Tolerance		6T	8T	
M 5	0.8	8	0	11		6		5.3	9.2				1	●	■	2
M 6	1	10	-0.2	13		6.9	± 0.3	6	11.5				1.2	●	■	3.5
M 8	1.25	12		17	0	8.5		7.5	13.9				1.5	●	●	6.8
		14			-0.4				16.2	—	—	—		●	■	8.3
M10	1.25	14	-0.25	19		10	± 0.4	8.8					1.7	●	●	9.2
		17		20					19.6					●	■	13.7
M12	1.25	17		24	0	12.5		11.2					1.4	●	■	17.4
		19			-0.5			11	21.9	2	13			■	■	20.5
M14	1.5	19		26		15		13.5			15		1.6	●	■	22.6
		22	0						25.4					■	■	29.8
M16	1.5	22	-0.35	30	± 0.5	16.5	± 0.5	15		3	17	± 0.3	3	●	■	35.7
		24				16		14.5	27.7					●	■	41.5
M18	1.5	24		32		18		16.5			20		3	●	■	41.7

※ Materials include equivalent of each materials.
 ※ Dimensions may change for improvement.